



# Wooden Hot Tubs

Pre-Delivery Guide









# Contents

<b>Delivery</b>	1
Overview	1
Delivery Options	2
Packaging	2
Setup	2
<b>Placement</b>	3
Foundation & Base	3
Location & Access	3
Drainage	3
Cold Water	3
<b>Expectations</b>	4
Wood	4
Oiling / Treatment	4
Polystone 'Polypropylene' Liner	5
Stainless Steel Bands	5
<b>Measurements</b>	7
Alta Hot Tub	7
Narvik Hot Tub	7
Burner & Flue	8
Steps	8
<b>Notes</b>	9
<b>Sketch</b>	11
<b>Order Checklist</b>	12

# Delivery

## Overview

We deliver thousands of Spa Pools and Hot Tubs all around the country, the most per year out of any retailer in New Zealand! While similar shapes and sizes, without all the internal pumps and plumbing, Hot Tubs are a lot lighter and much easier to move around compared with our acrylic Spa Pools.

2 fit persons can lift the Alta Hot Tub (100kg) and 3-4 fit persons can lift Narvik Hot Tub (150kg) on/off a trailer and into position. See page 7 for more detail regarding measurements.

## Delivery Options

At Alpine Spas we provide you a range of delivery options. Please discuss and confirm the detail of your desired delivery option with your sales consultant.

SERVICE	TYPE	NATIONWIDE	AKL & CHCH	General Installation
<b>Bronze</b>	Collection from Depot	FREE	FREE	Not Included
<b>Silver</b>	Curbside Drop-Off	\$399	FREE	Not Included
<b>Gold</b>	Delivery into Position	\$799*	\$399*	Not Included

*^Complex deliveries incur an additional \$200 fee.*

### Bronze - Collection

Your Hot Tub can be collected from our warehouses located in Christchurch, Auckland or from one of our freight providers depots located throughout New Zealand for free. All that is required is a trailer and straps to secure it. The Hot Tub and Burner can be manhandled onto your trailer fairly easily.

*Note: For nationwide depots, allow 3-5 working days from date of dispatch (this is the day the Hot Tub leaves our warehouse). The depot will get in touch with you when stock arrives.*

### Silver - Curbside Drop-Off

This method has your Hot Tub delivered directly to your property via a transport truck which is contracted to curbside. If access allows and is safe to do so, the driver will attempt to get as far up the driveway as possible. The Hot Tub is removed off the truck with the use of a tailgate and pallet jack and left vertical on a pallet. You will then need to be prepared to move it into final position with manpower or tools of your own. Setup/installation is not included - see 'SETUP' section on the following page.

*Note: Allow 3-5 working days from date of dispatch (this is the day the Hot Tub leaves the warehouse). The transport company will call you before delivery. Please note: packaging is not taken away.*

## Gold - Delivery into Position

Your Hot Tub will be delivered into the desired final position by use of either a specialised manpower team or HIAB crane-truck (not both). We ask for some clear instructions and sometimes photos to ensure a smooth delivery. For Hiab/Crane deliveries you will need to ensure the access-way is able to withstand the weight of the truck and load. Setup/installation not included - see 'SETUP' section below.

*Note: If extra manpower or crane reach required is over 14 meters (Auckland/Christchurch) or 7 meters (Nationwide), this will be additional, please ask for pricing. Please note: packaging is not taken away.*

## Packaging

Our hot tubs themselves are pre-assembled and come packaged in protective wrap, sitting upright on their side on a pallet. The burner is a separate item and is packaged on a smaller pallet - weighing a total of around 50kg.

The Hot Tubs are not overly heavy due to the construction consisting mostly of the polypropylene liner. They can easily slide around on the base if required. The wooden cover is pre-attached in place and the steps and flue kit will be found packaged neatly inside the Hot Tub under the cover.

The stainless-bands that hold the wooden decorative staves in place leave the manufacturer slightly loose on purpose. This is because the wood will shrink and expand as it cools and heats during shipping. Upon arrival, the bands and staves will need re-tightening (see 'expectations' on pages 4-5).

There's potential for a small amount of surface rust to have formed on the stainless-steel during transit. This can be removed with a mix of baking soda & water and a rag.

## Setup

The Hot Tub requires minimal installation, just about anyone can get it setup and ready to be filled with water. You'll want to have someone handy with tools to do the oiling and optional drain valve installation (however you can also just drain the tub through the burner itself).

Here's a simple checklist for what's involved with setup:

- Remove Packaging
- Remove Packaged Accessories From Within Hot Tub
- Tighten Bands & Re-adjust Staves
- Attach Burner
- Assemble Flue Kit (Be wary of sharp edges!)
- Place Steps
- Oil Wood
- Install Extra Drain Valve (Optional)

# Placement

---

## Foundation & Base

A Hot Tub can weigh between 1-3 tonne when filled with water and therefore requires a sturdy foundation. This needs to be a flat, level surface that supports the entire weight and can handle water spillage. The Ideal surface is a concrete pad with a minimum depth of 100mm and is sized to the width and length of your desired Hot Tub. Pavers or wooden decking are also fine.

While not recommend for long term placement, a Hot Tub can be placed on shingle or a compacted foundation so long as it is leveled out and flat without protruding objects. The polypropylene liner forms the base of the hot tub so any objects underneath have the potential to damage the base.

You will also want your burner and steps to sit on the same level as your hot tub so keep that in mind when preparing your foundation. See page 8 for measurements of these items.

## Location & Access

You'll essentially be operating a portable outdoor fireplace with a small chimney. Keep this in mind when choosing a location for your Hot Tub as it should be situated a safe distance away from housing, fences, trees and shrubs etc. The fire is contained inside the burner but smoke will emit from the top of the chimney which sits approx 286cm high off the ground. Children should not be near the hot tub unsupervised.

It is the owners responsibility to have the Hot Tub in a position where a service person could work on it in the unlikely event of an issue.

## Drainage

Overflow of water from the Hot Tub is likely, especially when overloaded with people or if kids are splashing about. Drainage in/near your foundation may need to be considered to prevent water from pooling around your tub.

Your Hot Tub will also need to be manually drained after each use so it's location has the potential to be a frequent wet area. You can attach a hose to the burner's drain valve to run the water away from the area or use it to water your garden.

## Cold Water

You will want to have a hose handy to add cold water to cool the Hot Tub down if it heats up too hot. Once you've got the hang of the fire management you will not need to worry about adding cold water too often, however, it is mighty refreshing and adds to the traditional soaking experience. Water nearby is also a must when lighting fires outdoors.



# Expectations

---

## Wood

The decorative wooden staves are "Thermowood" - heat treated pine, sourced from local European countries abundant in pine such as Finland. This type of pine is used to build houses and saunas, so it is structurally sound and an excellent choice for this type of application.

Pine is a softwood and is susceptible to scratches and dents, so please take care when shifting the product. Some light scratching to the wood should be expected upon delivery but should be able to be touched up using a medium to fine grit sandpaper (100). Knots, colour variations, grain variations and mineral streaks are natural characteristics of wood and in no way should be considered defects.

The wooden parts of the tub will suffer the effects of the harsh New Zealand sun (discolouration, cracking and splitting) unless maintained properly – please refer to oiling section below.

## Oiling

Wood being used in an outdoor application requires regular maintenance to protect it and keep it looking good. The Thermowood is treated in Europe (through a heat treatment process) but it is supplied unoiled. Any wood that is exposed to the New Zealand sun needs regular surface treatment with a timber protection oil.

Leaving the Thermowood unoiled will see discolouration of the wood and will cause it to dry out, increasing the chances of cracking or splitting which is not covered by warranty.

As part of the ownership of a natural wood product, please be prepared to:

- Oil the Thermowood upon receivership and installation.
- Re-oil the Thermowood every 6-12 months.

Only the external facing wooden surfaces (the wood not submerged in water) need to be oiled. We recommend a 'clear coat timber protection oil' such as 'CD-50'. Such products are available from hardware stores such as Mitre 10 or Bunnings. Simply oil using a paintbrush to brush on an even coat. Follow product application and preparation directions.

To oil all of the staves and top lip you will need a fair amount of product. It is worth getting up to 10litres of oil as your Hot Tub will need a re-coat in 6-12 months' time.

## 'Polystone' Polypropylene Liner

The tubs core construction is a thick plastic (polypropylene) liner, which is then decorated with the wooden staves, held on by the stainless bands. This type of plastic is used in many different water based applications (water tanks etc.), so it is the perfect choice being light but strong.

Polypropylene is also chosen due to its toughness and elasticity, meaning the plastic is designed to be able to bend and deform without breaking. In the purpose of use as a Hot Tub liner, there is considerable pressure placed on the liner walls from the weight of the water and users. Over time, this can result in slight deformation of the plastic and a small tolerance for warping, bowing, or stretching of the liner should be expected. The Hot Tub will not leak however.

The liner relies on the wooden staves and stainless bands for structural assistance in holding the water weight. Never fill the hot tub without checking the bands are installed correctly and tight.

Being plastic, it is also susceptible to scratching. Please note that due to the manufacturing process there will be scratching to the unseen, underside of the base of the Hot Tub. This is normal.

It is difficult to guarantee that upon delivery the inner of the tub will be completely scratch free but if any, it should be minimal and light. Over time as the tub is used, it will become lightly marked and scratched and this is the nature of the product. Like a stainless-steel bench top, the markings will become somewhat of a pattern and when the tub is filled, will not be noticable.

## Stainless Steel Bands

Two stainless steel bands wrap around the outside of your Hot Tub, holding the wooden decorative staves in place and providing support for the liner when filled. These bands will loosen over time so readjustment will be needed every so often, which is simply done with two wrenches.

Upon delivery you may find that some of the wooden staves are misaligned. When leaving the manufacture, the bands are left slightly loose on purpose as there is significant heating and cooling (leading to expansion of the wood) during the long journey from Europe to your backyard.

You may need to assist a few staves back in place when re-tightening the bands.





# Measurements

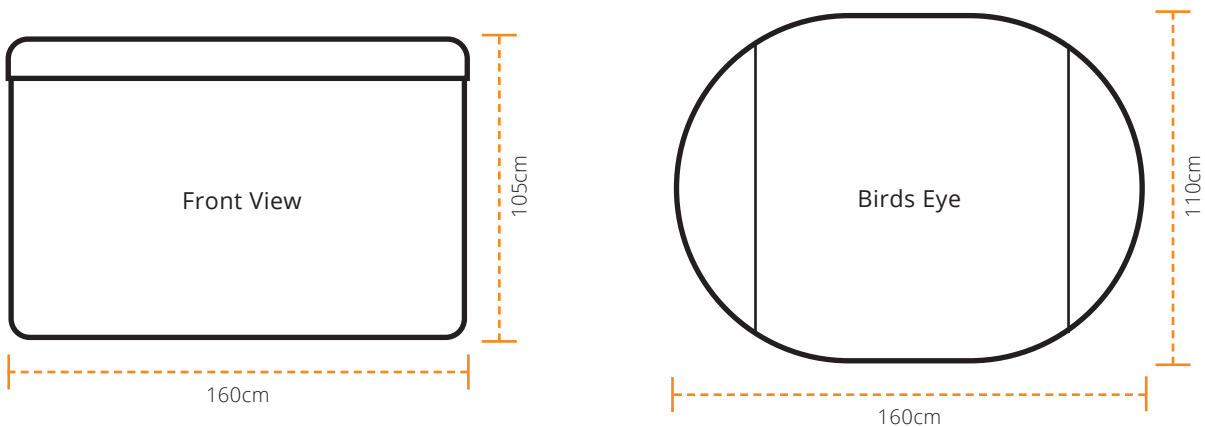
Item	Width (cm)	Length (cm)	Height (cm)	Dry (kg)	Filled (kg)
Alta Hot Tub*	160	110	105	100	1000
Narvik Hot Tub*	160	160	105	150	1950
Burner	55	70	66	50	N/A
Flue (Incl Burner)	N/A	N/A	286	N/A	N/A
Steps	72	57	53	N/A	N/A

\*For packaged dimensions, add 20mm to width & length, plus 100mm to the height to account for wooden pallet.

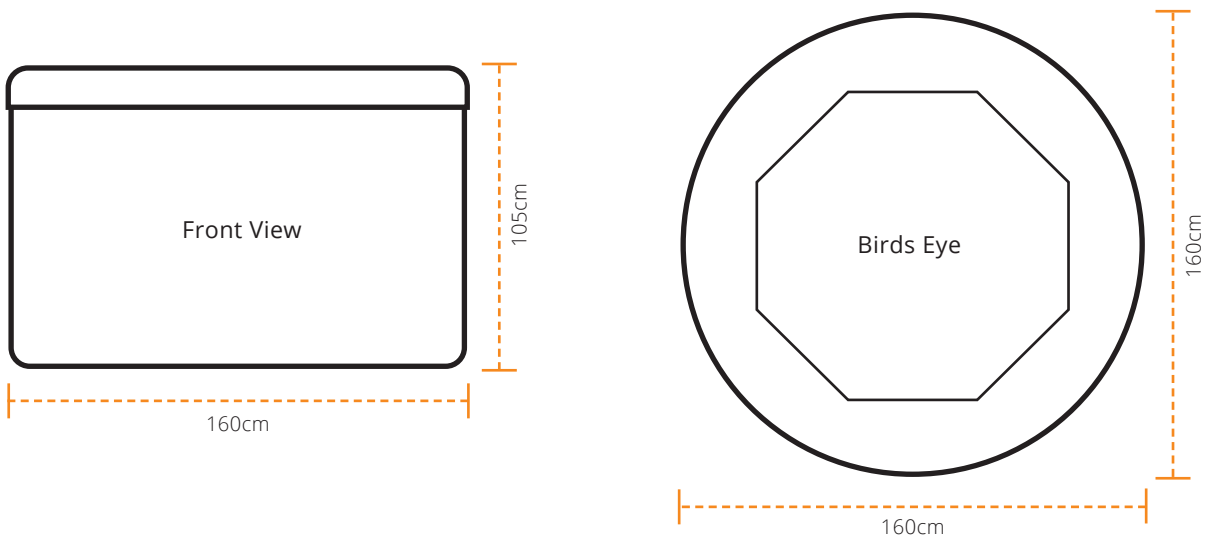
All Weights are approx. Measurements are taken at max edge to edge distances.

For Hot Tub litres, subtract dry weight from filled weight.

## Alta Hot Tub



## Narvik Hot Tub

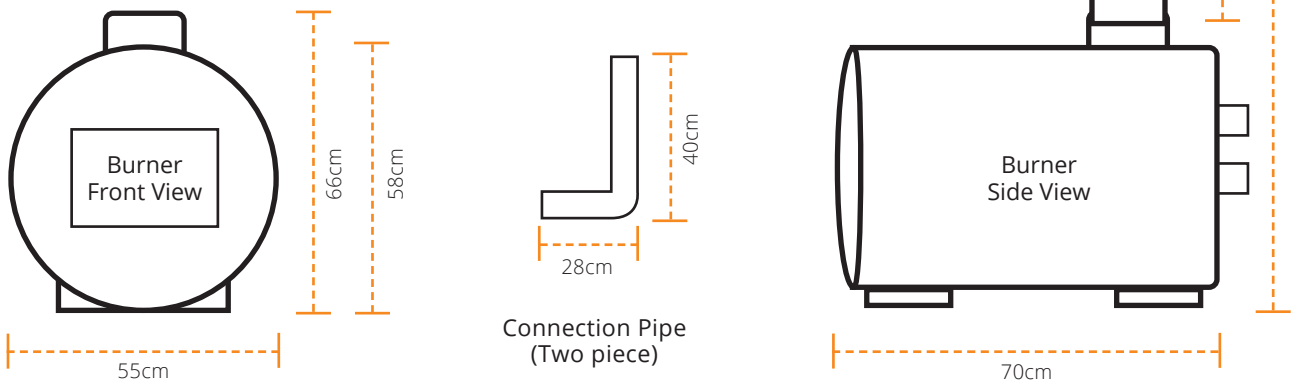


## Burner & Flue

The burner should sit on the same level surface as the Hot Tub for optimal flow and heat transfer. You will need to access the front of the burner to load firewood, and the back of the burner to drain the tub.

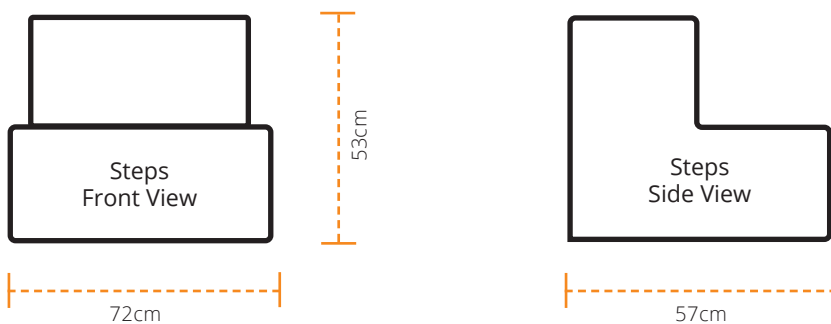
Two rubber inlet/outlet connection pipes are provided and dictate where the burner is positioned in relation to the Hot Tub. Your own 50mm rubber piping could be sourced to alter the way the burner connects, allowing you to change the orientation of the burner or position it further away. Keep in mind that the longer the piping, the less efficient and slower the water will be heated.

The flue kit consists of two pieces of chimney (bottom section with additional protective grate) that slot together and a chimney cap which sits at the top.



## Steps

The steps should sit on the same level surface as the Hot Tub for safe access. Consider extra foundation to suit.





# Notes

A series of horizontal dotted lines for writing notes.

A series of 25 horizontal dotted lines spanning the width of the page, intended for writing or drawing.

# Sketch





# Order Checklist

Below is a checklist with some important steps to guide you through your new Hot Tub purchase:

## Order Details

Ensure your order details are correct. Please check the delivery address, contact phone numbers & email address are correct as well as the model & colour of the Hot Tub.

## Payments

Balance payments need to be settled a minimum of one week prior to dispatch date to provide opportunity to book in preferred freight/delivery method.

## Delivery Method

Are you fully aware of what is included in your chosen delivery option?

Manpower or Hiab Delivery - Has Alpine Spas received a clear description/photos of your full delivery path?

Freight Provider Delivery (Curbside / Depot) - Delivery can take 3-5 business days from the dispatch date on your order. Deliveries to your property are only contracted to the curbside - The delivery team will take it down the driveway if the driver deems it accessible.

*\*Failing to disclose all relevant delivery information may result in addition charges.*

## Hot Tub Placement

If your delivery is within two weeks:

- Is the foundation prepared?
- Have you determined the final placement and orientation?

## Installation

Installation is not included so upon delivery you will need to be prepared to:

- Remove and dispose of the packaging and pallet the Hot Tub is delivered on
- Unpackage the accessories from within the Hot Tub
- Tighten the stainless bands and readjust the staves
- Attach the burner to the Hot Tub
- Assemble the flue kit
- Place the steps

## Expectations (see pages 4-5)

As explained in this guide, you are aware that:

- The wood may arrive with light scratching and require touch ups with sandpaper
- The stainless bands (and staves) may be loose upon arrival and will require tightening
- The wood is provided unoiled and requires oiling upon arrival and then every 6-12 months
- The liner is susceptible to scratching and the underside of base will arrive scratched
- Minor deformation of the liner is possible over time, but will not leak
- Chemicals cannot be used in the hot tub

# Hot Tub Pre-Delivery Guide



[www.alpinespas.co.nz](http://www.alpinespas.co.nz)

0800 99 33 88